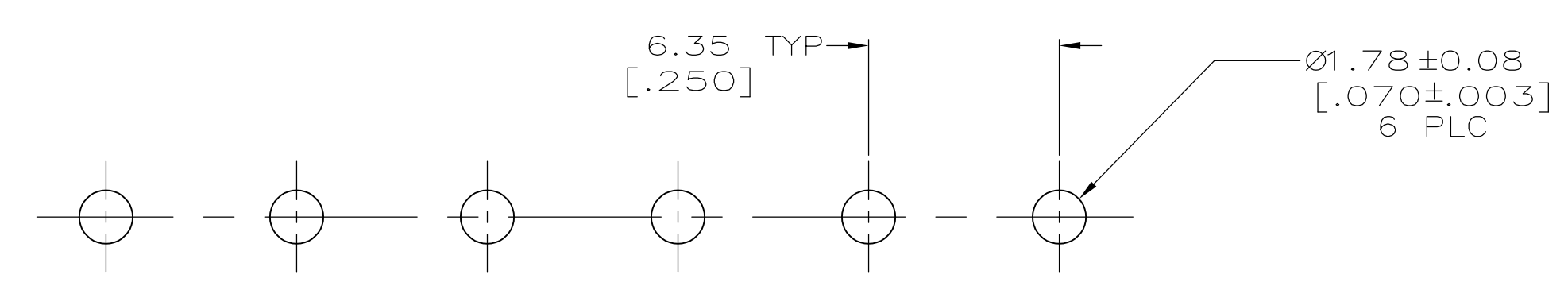
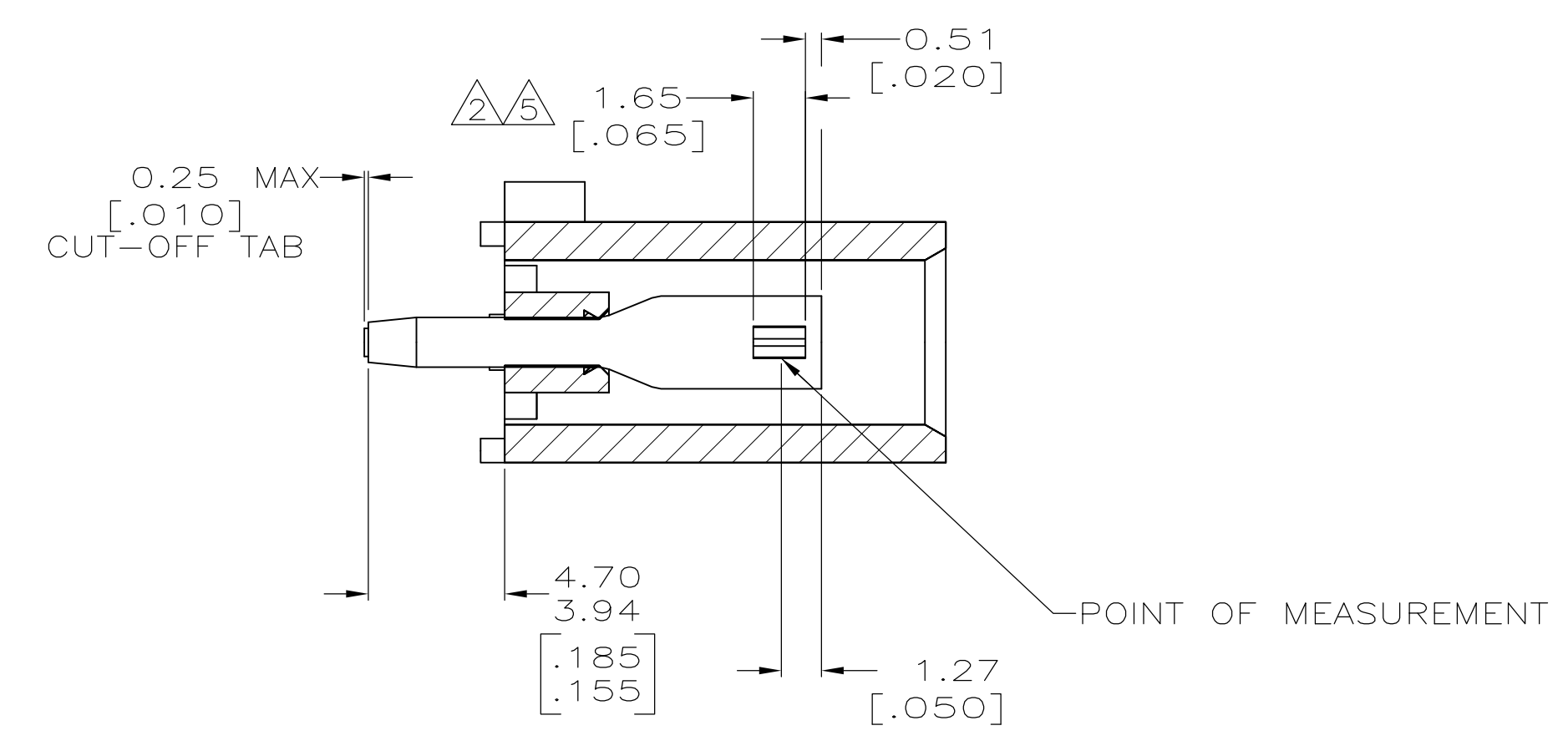
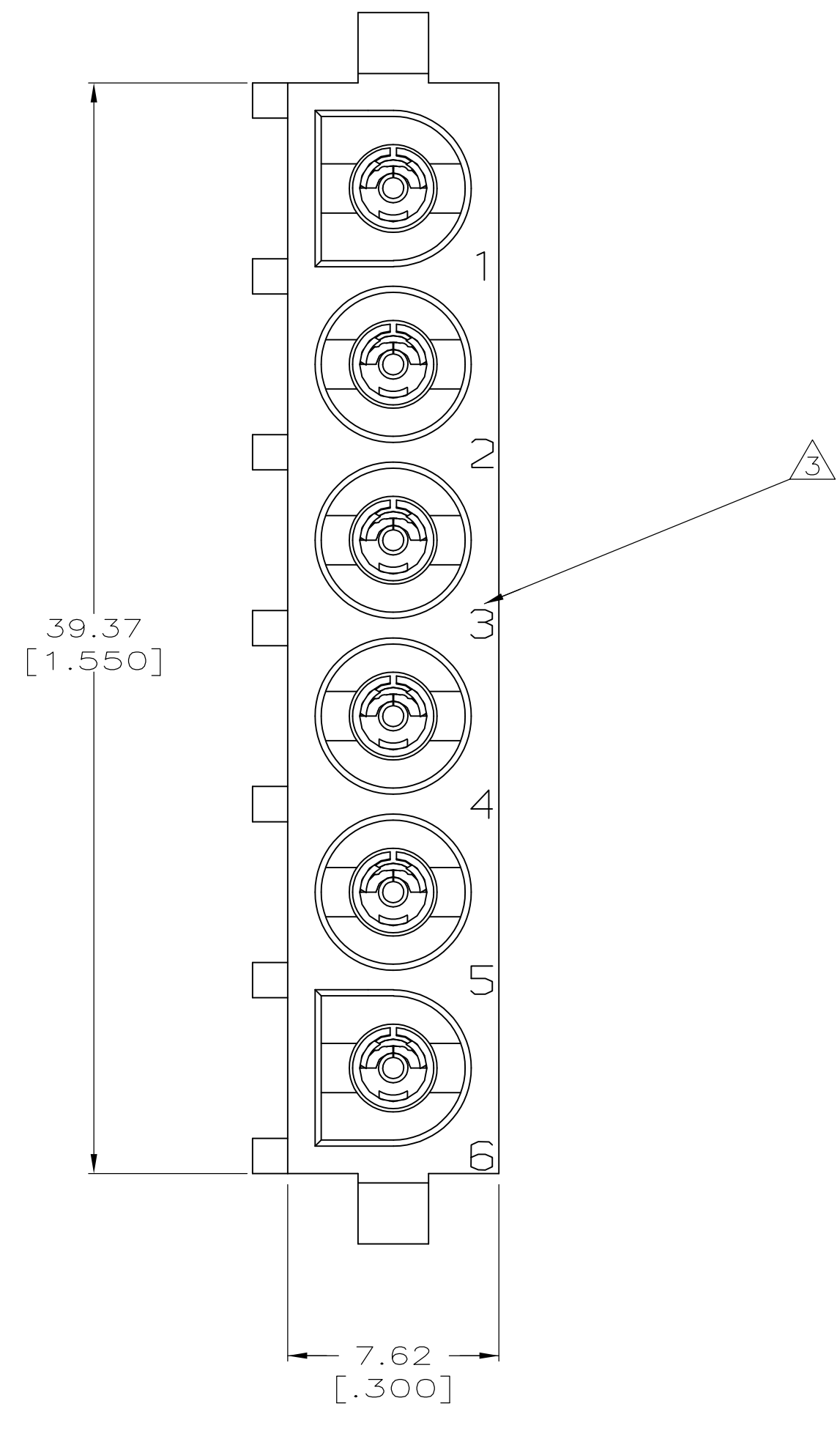
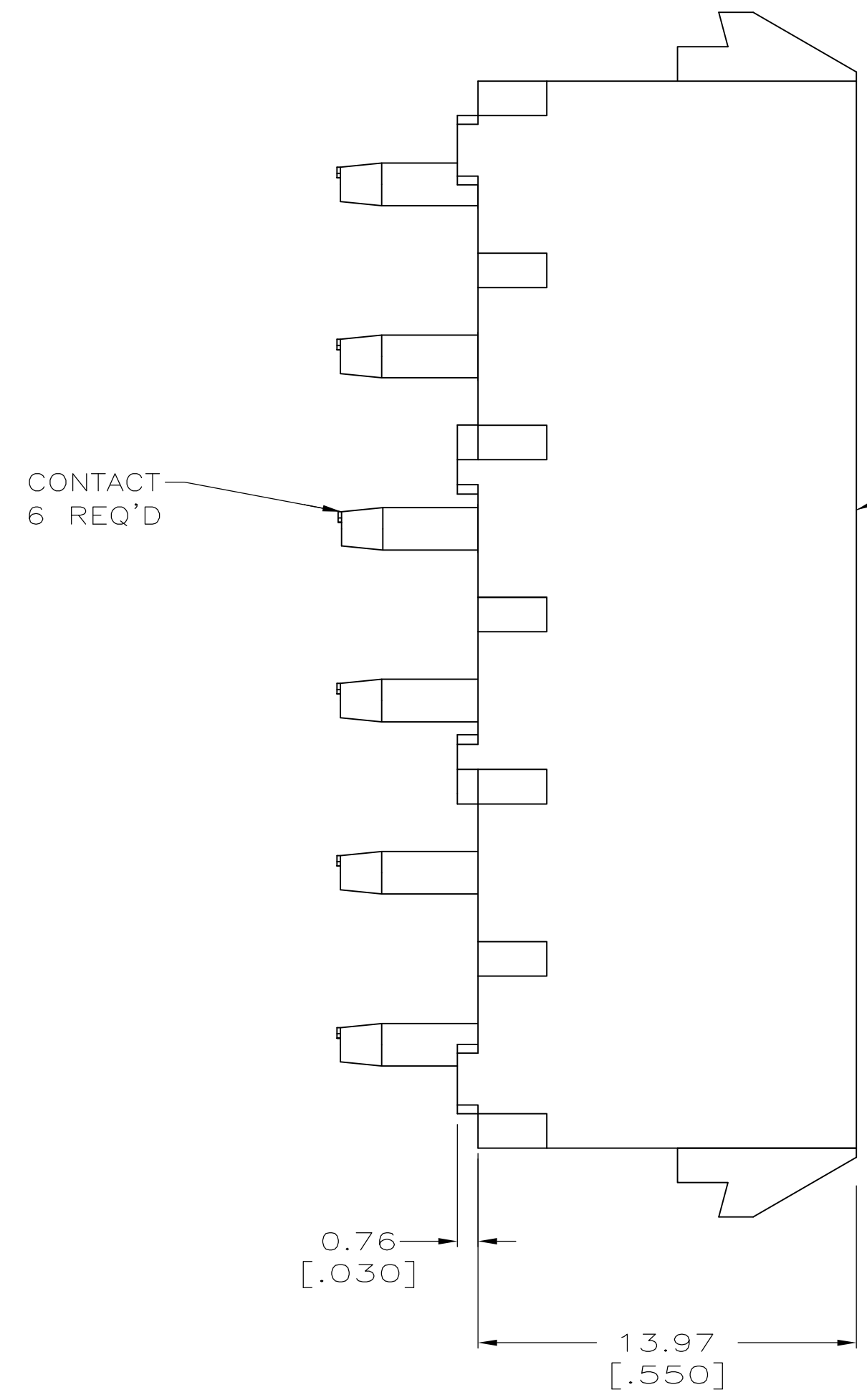
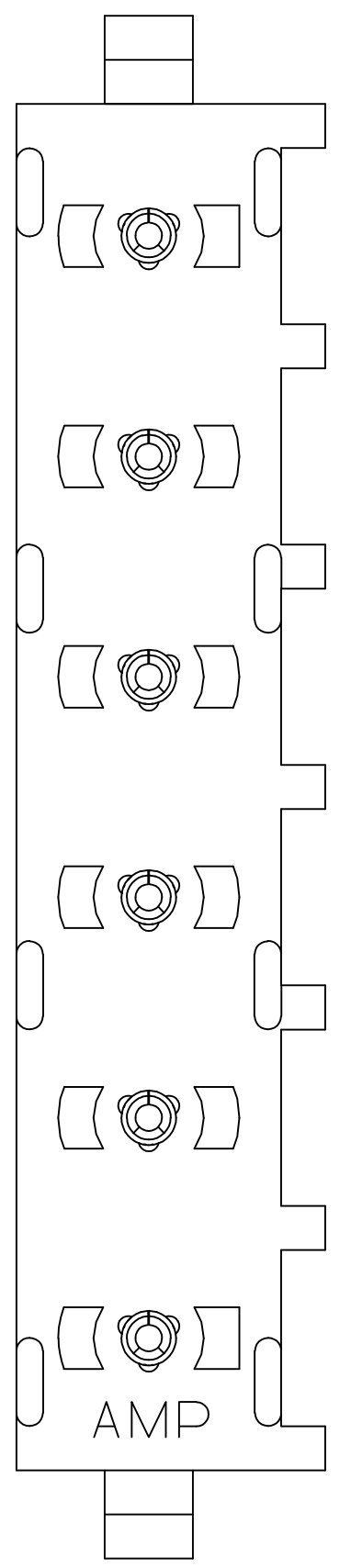
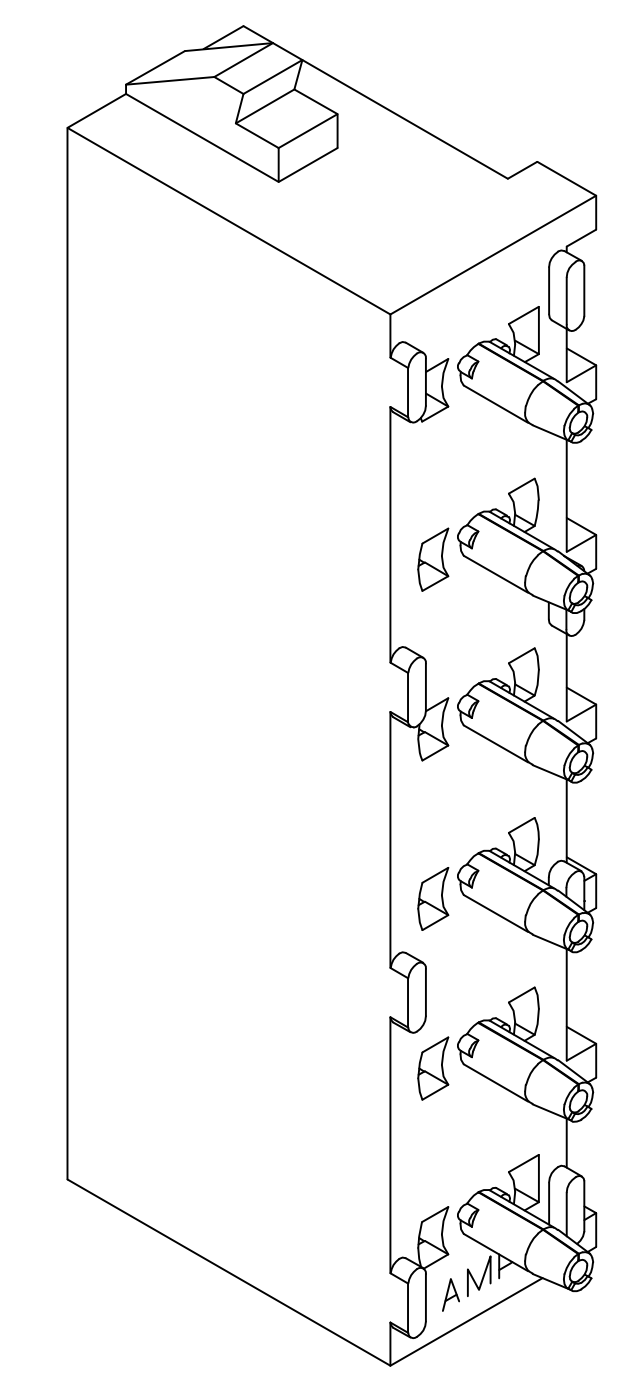


LOC		DIST		REVISIONS			
F	LTR	DESCRIPTION	DATE	DMN	APVD		
F1		REVISED PER ECR-12-011660	01FEB13	KH	TM		



RECOMMENDED MOUNTING HOLE PATTERN FOR 1.57 [.062] THICK P.C. BOARD

- 1 PARTS COMPLY TO AMP SOLDERABILITY SPECIFICATION 109-11-3.
- 2 CONTACT IS PLATED WITH 0.000127 [.000050] NICKEL, THEN 0.000076 [.000030] GOLD OVER CONTACT LENGTH INDICATED AND MATTE TIN LEAD ON SOLDER TAIL END.
- 3 CIRCUIT IDENTIFICATION CHARACTERS ARE ADJACENT TO THE INDICATED CAVITIES, BUT LOCATION AND ORIENTATION MAY DIFFER FROM PRINT.
- 4 DIMENSIONS IN BRACKETS ARE IN INCHES.
- 5 CONTACT IS PLATED WITH 0.000127 [.000050] NICKEL, THEN 0.000076 [.000030] GOLD OVER CONTACT LENGTH INDICATED AND MATTE TIN ON SOLDER TAIL END.
- 6 SUPERSEDED BY 770262-3



3-DIMENSIONAL MODEL NTS

PHOSPHOR BRONZE, GOLD	NYLON, UL94V-0, WHITE	770262-3
PHOSPHOR BRONZE, GOLD	NYLON, UL94V-0, WHITE	770262-2
PHOSPHOR BRONZE, PRE-TIN	NYLON, UL94V-0, WHITE	770262-1
CONTACT MATERIAL AND FINISH	HOUSING MATERIAL	PART NUMBER

THIS DRAWING IS A CONTROLLED DOCUMENT.		DIN R LEWIS 10-05-98	STE TE Connectivity	
DIMENSIONS: mm [INCHES]		CHK R SWING 10-05-98	NAME	
TOLERANCES UNLESS OTHERWISE SPECIFIED:		APVD M TRULL 10-05-98	PRODUCT SPEC	
0 PLC ± -	1 PLC ± -	APPLICATION SPEC		
2 PLC ± 0.13 [.005]	3 PLC ± -	SIZE CAGE CODE DRAWING NO		
4 PLC ± -	ANGLES ± 0°30'	RESTRICTED TO		
MATERIAL SEE TABLE	FINISH SEE TABLE	WEIGHT -	A1 00779 C=770262	
CUSTOMER DRAWING		SCALE 5:1	SHEET 1 OF 1	REV F1